

RACE	TITIC 2024
TRACK	rc addict
NAME	HUANG YI HAO
CITY / COUNTRY	
DATE	

TEMPERATURE	AIR	TRACK	
35C	35C	45C	
QUALIFYING POSITION	BEST LAP TIME	FINAL POSITION	RACE LENGTH
18	15.4 SEC	16	5 MIN
TRACK CONDITION	<input type="checkbox"/> CARPET	<input checked="" type="checkbox"/> ASPHALT	
<input type="checkbox"/> TECHNICAL	<input type="checkbox"/> MIXED	<input checked="" type="checkbox"/> FAST	
TRACTION	<input type="checkbox"/> LOW	<input type="checkbox"/> MEDIUM	<input checked="" type="checkbox"/> HIGH

TRANSMISSION	
BELT	GEAR DIFF OIL
FRONT <input checked="" type="checkbox"/> STD <input type="checkbox"/> SOFT	<input type="checkbox"/> 10000 CST
REAR <input checked="" type="checkbox"/> STD <input type="checkbox"/> SOFT	NUMBER OF GEARS
	<input type="checkbox"/> 2 <input checked="" type="checkbox"/> 4

PINION	37 T	SPUR GEAR	110 T
FINAL DRIVE RATIO	5.64		

SPRING	
FRONT	REAR
Hiro Seiko 350 CST	OIL Hiro Seiko 400 CST
ARC Red	SPRING ARC Green
4 1.1 mm	HOLES/DIA MEER 4 1.1 mm
0 %	REBOUND 0 %

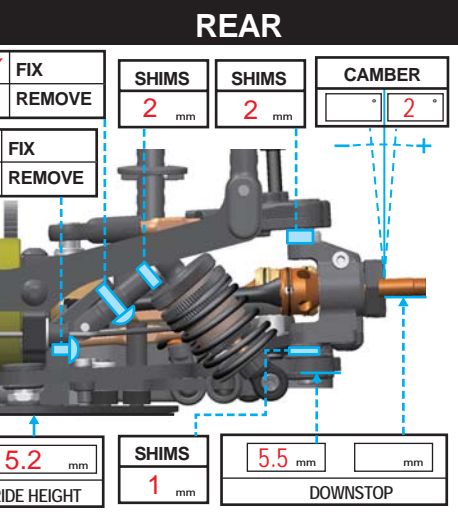
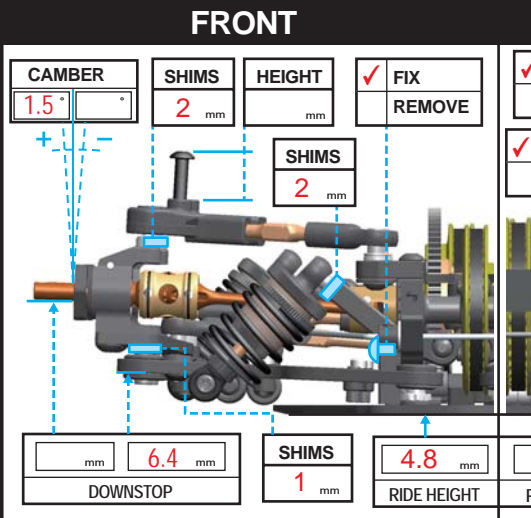
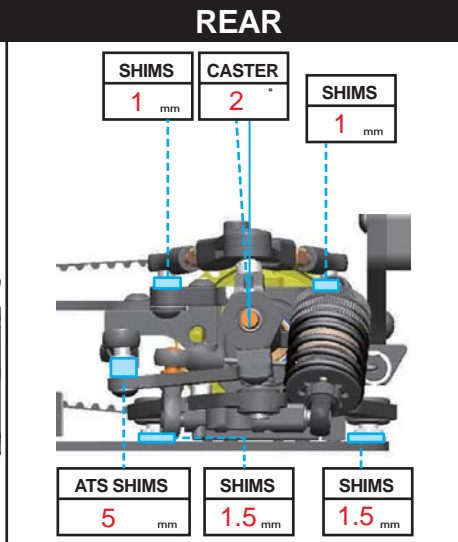
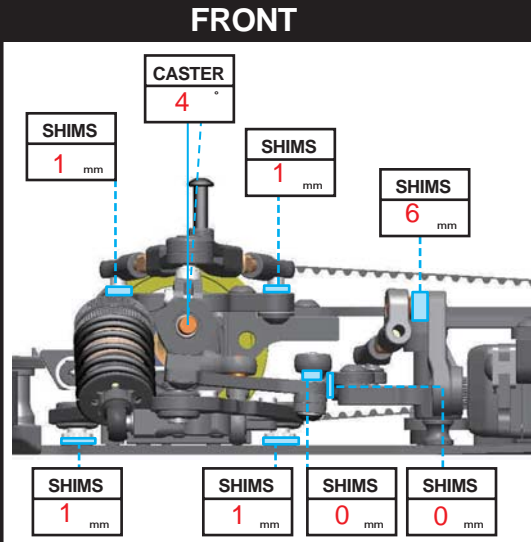
ANTI-ROLL BAR	
FRONT	REAR
1.2 mm	1.2 mm

Sweep D40	TIRES	Sweep D40	
10 min warm	ADDITIVE TIMING	10 min warm	
Might Yellow	ADDITIVE	Might Yellow	
FL	FR	RL	RR
<input type="checkbox"/>	<input type="checkbox"/>	<input type="checkbox"/>	<input type="checkbox"/>
TREATED AREA			

BODY MOUNT DISTANCE	
mm	

BODY	TCN-S	WING	TCN-S
------	-------	------	-------

NOTE



### CHASSIS SETUP

